

TECHNICAL DATA SHEET

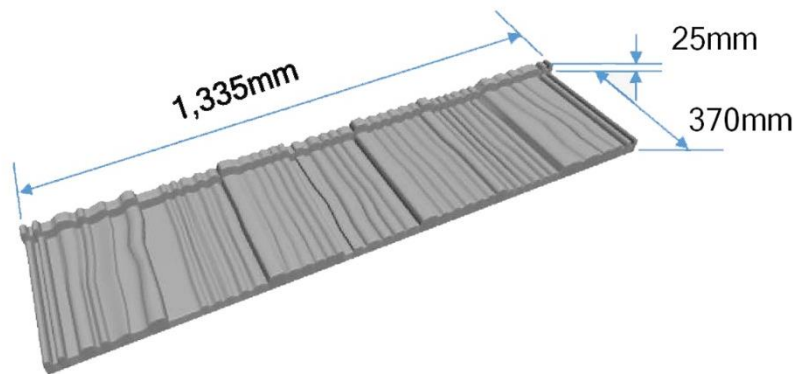
STONE COATED METAL ROOFING



FEROOF ROOF PANEL SPECIFICATIONS

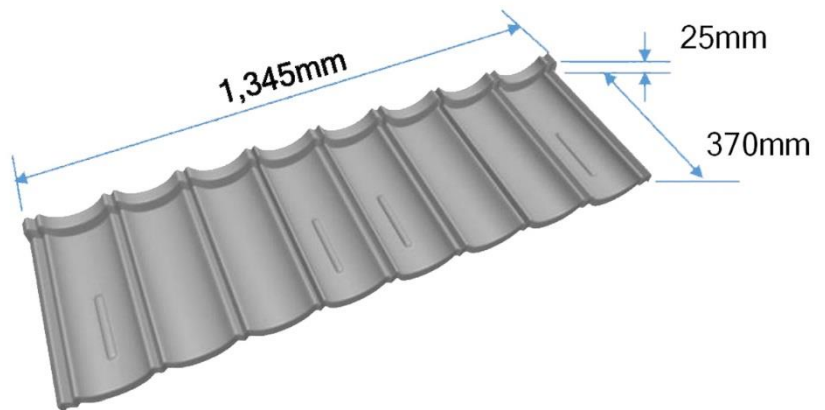
WOOD

Overall Length	1,335 mm
Length of Cover	1,280 mm
Width of Cover	370 mm
Weight / Piece	2.70 kg
Pieces / SQM	2.11 pcs
Roof Cover / Panel	0.474 m ²
Weight / SQM	5.70 kg



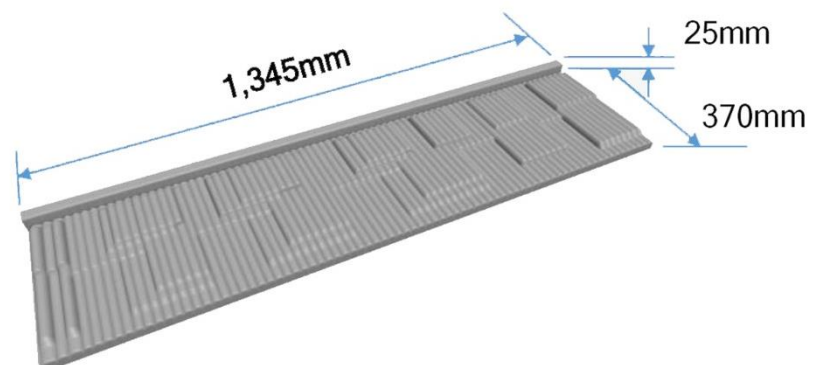
RIO

Overall Length	1,345 mm
Length of Cover	1,280 mm
Width of Cover	370 mm
Weight / Piece	2.70 kg
Pieces / SQM	2.11 pcs
Roof Cover / Panel	0.474 m ²
Weight / SQM	5.70 kg



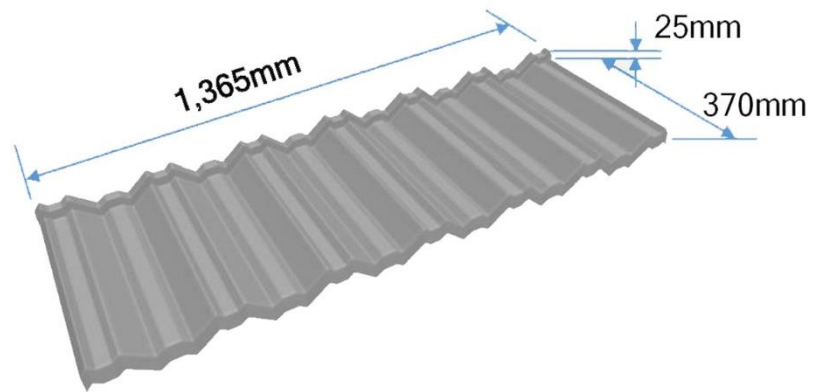
DIVA

Overall Length	1,345 mm
Length of Cover	1,280 mm
Width of Cover	370 mm
Weight / Piece	2.70 kg
Pieces / SQM	2.11 pcs
Roof Cover / Panel	0.474 m ²
Weight / SQM	5.70 kg



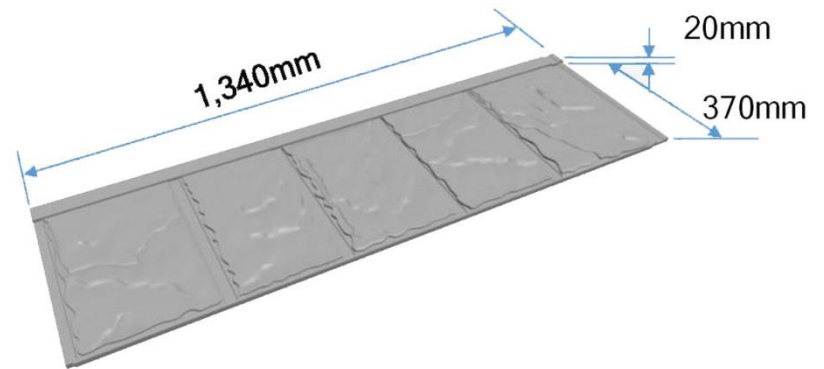
ZISSEN

Overall Length	1,365 mm
Length of Cover	1,280 mm
Width of Cover	370 mm
Weight / Piece	2.70 kg
Pieces / SQM	2.11 pcs
Roof Cover / Panel	0.474 m ²
Weight / SQM	5.70 kg



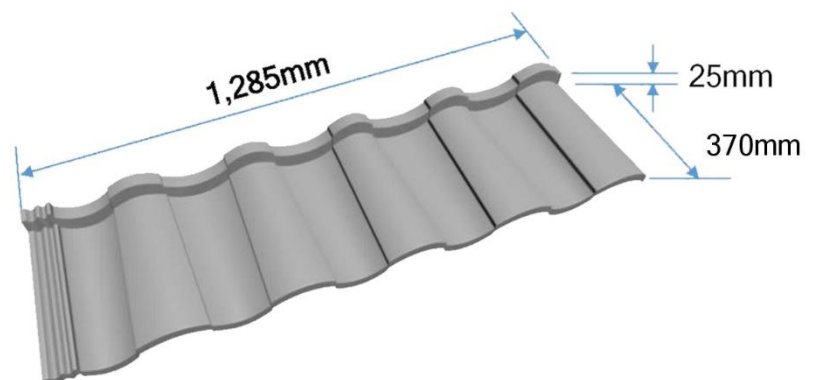
SLATE

Overall Length	1,340 mm
Length of Cover	1,290 mm
Width of Cover	370 mm
Weight / Piece	2.70 kg
Pieces / SQM	2.10 pcs
Roof Cover / Panel	0.477 m ²
Weight / SQM	5.66 kg



VENETO

Overall Length	1,285 mm
Length of Cover	1,215 mm
Width of Cover	370 mm
Weight / Piece	2.70 kg
Pieces / SQM	2.23 pcs
Roof Cover / Panel	0.449 m ²
Weight / SQM	6.02 kg



METAL TILE AND PRODUCT COMPOSITION

Feroof Stone Coated Metal Roof tiles are produced by applying acrylic polymer, rust- and fire-prevention materials, and natural stone chip particles (of the finest Italian volcanic stone) onto a 5-layer special surface-treated galvalume steel plate. It is then heat-fired at high temperatures to produce High Quality roof tiles.

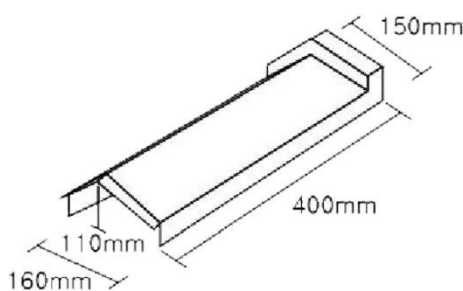
- The press equipment and production line was developed by Ferroof and is recognized in the industry as the best in quality and customer satisfaction through the acquisition of Quality Certifications ISO 9001 and ISO 14001.
- It has an interlocking installation feature that makes it durable against the harshest weather conditions.
- It is a lightweight roofing material (up to 80% lighter than Clay Roof Tiles) that makes it easy to install.
- More importantly, it can be used for retrofitting project as it can easily be installed on top of existing roofs (depending on the condition) without the need to dismantle, thereby saving dismantling costs.
- In addition, it has excellent Stone Chip adhesion and comes in a variety of colors that achieves any architectural aesthetic.

FEATURES OF STONE COATED METAL ROOFING

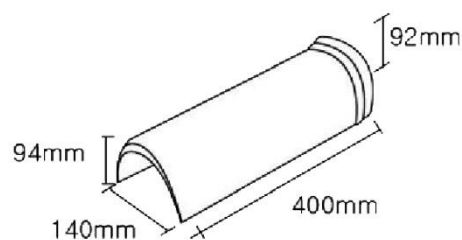
- Can withstand strong winds and other harsh weather conditions.
- The lightweight roofing material minimizes the load on the building and the risk of collapse during earthquakes.
- **Durable.** Corrosion-resistant galvalume steel plate is coated with imported natural stone powder for a longer service life.
- Noise Reduction. The natural stone particles on the surface absorb and diffuse the sound of rain as opposed to ordinary metal roofs.

ACCESSORIES

V-RIDGE



ROUND RIDGE



FINISHING KIT

