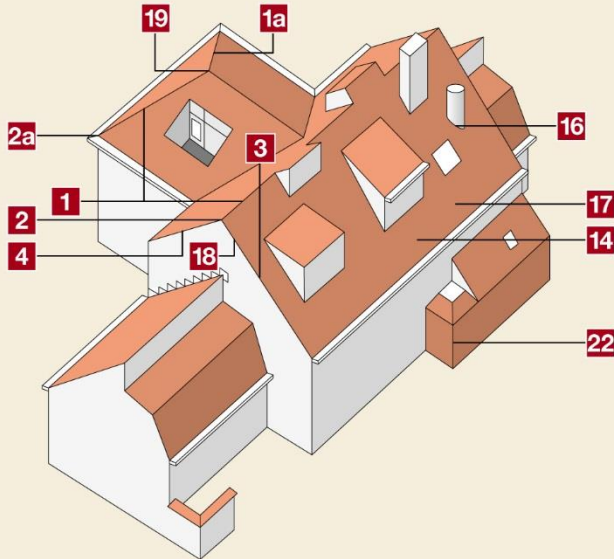




KORAMIC

Kleidakpannen. Tuiles Terre Cuite.

Actua



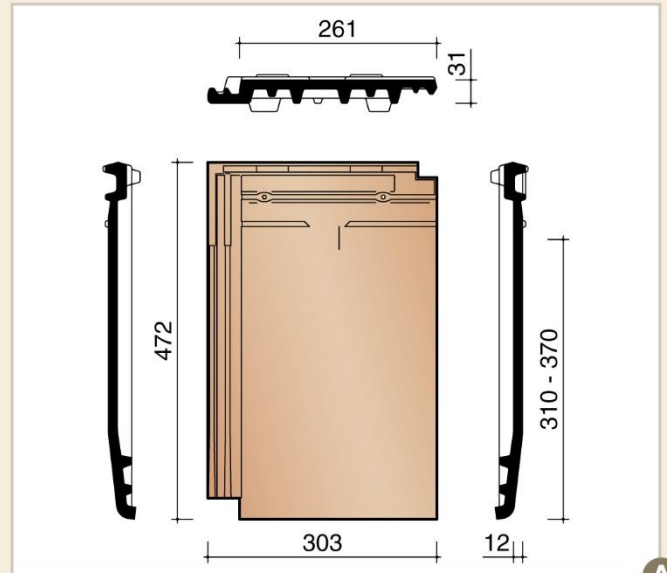
DIMENSIONS

Effective Cover Width

Length/Gauge \pm 310-370 mm
Width/Gauge \pm 261 mm

Overall Size

Length \pm 472 mm
Width \pm 303 mm



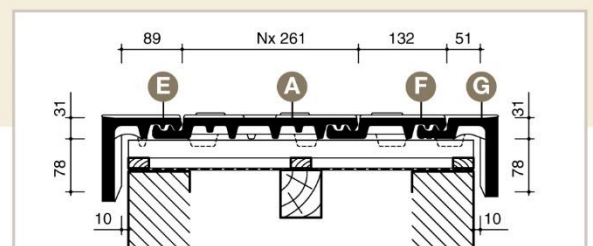
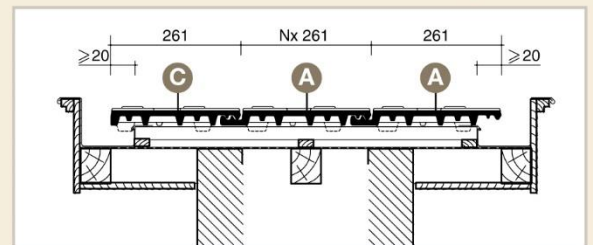
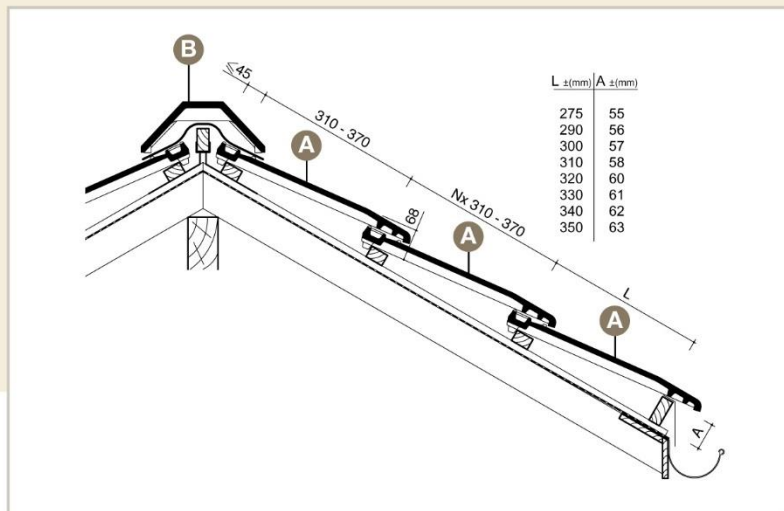
Manufactured to EN 1304

TECHNICAL DATA

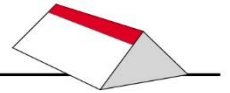


Data	Plant: Migeon
	Model: Actua
Weight/tile	\pm 4.4 kg
Weight/m ²	\pm 46.2 kg
Crushing strength	> 900 N (EN538)
Water impermeability	\leq 0.50 cm ³ /cm ² .d (EN539-1)
Frost resistance	guarantee for 30 years
Batten size	50 x 25 mm (BS 1202)
Nails	copper, steel or aluminium alloy (BS 1202)
Minimum pitch	
15° - 22°	Batten spacing: 310 - 320 mm (\pm 12.4 tiles/m ²)
> 22°	Batten spacing: 310 - 370 mm (\pm 10.5 tiles/m ²)

ROOF DETAILS

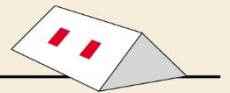


RIDGES AND HIP TILES



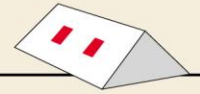
<p>Actua angular ridge - hip (3/m)</p> <p>Ref. No. 2800</p>	<p>Actua angular begin ridge</p> <p>Ref. No. 2810</p>	<p>Actua angular end ridge</p> <p>Ref. No. 2820</p>
B 1	2	2
<p>Actua angular end hip tile</p> <p>Ref. No. 2860</p>	<p>Vauban angular hip tile (4/m)</p> <p>Ref. No. 1900</p>	<p>Vauban angular end hip tile</p> <p>Ref. No. 1960</p>
2a	B 1a	2a

VERGE & VARIOUS FITTINGS

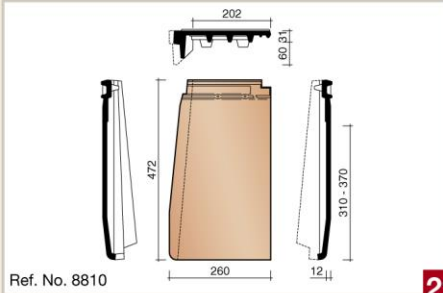


<p>Actua cloaked verge tile left hand (1.4/m)</p> <p>Ref. No. 7080</p>	<p>Actua half tile</p> <p>Ref. No. 8010</p>	<p>Actua cloaked verge tile right hand (1.4/m)</p> <p>Ref. No. 7090</p>
E 3	F 14	G 4
<p>Actua 1/2 cloaked verge tile left hand (1.4/m)</p> <p>Ref. No. 7020</p>	<p>Actua ventilation tile with synthetic grid</p> <p>Ref. No. 8640</p>	<p>Actua 1/2 cloaked verge tile right hand (1.4/m)</p> <p>Ref. No. 7030</p>
E 3	17	G 4
<p>Actua half tile without side interlocking</p> <p>Ref. No. 8040</p>	<p>Actua tile without side interlocking</p> <p>Ref. No. 8050</p>	<p>Actua connector 3 directions - in combination with ridges 2800</p> <p>Ref. No. 5340</p>
18	C 18	19

VERGE & VARIOUS FITTINGS

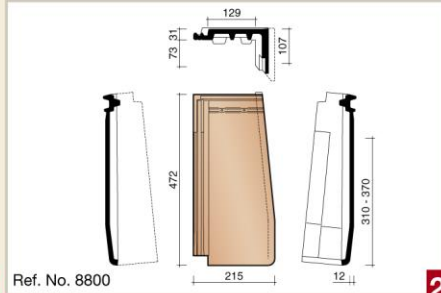


Actua angle piece for cladding



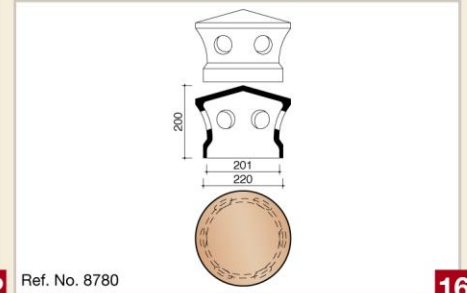
22

Actua half angle piece for cladding



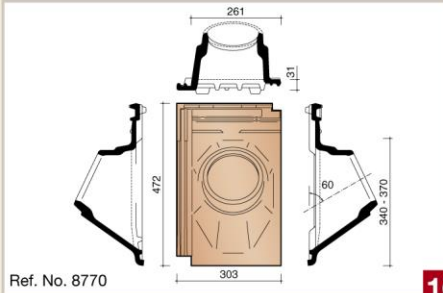
22

Migeon cap for steam-exhausting tile
Ø 150 mm



16

Actua steam-exhausting tile
Ø 150 mm

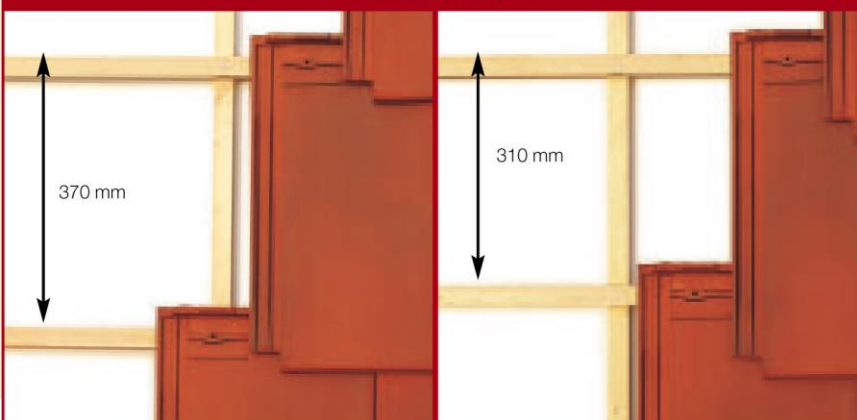


16

Vertical angle tiles for cladding



Variable gauge



The variable gauge of the Actua from 310 mm to 370 mm removes the need to cut tiles and makes laying easier.