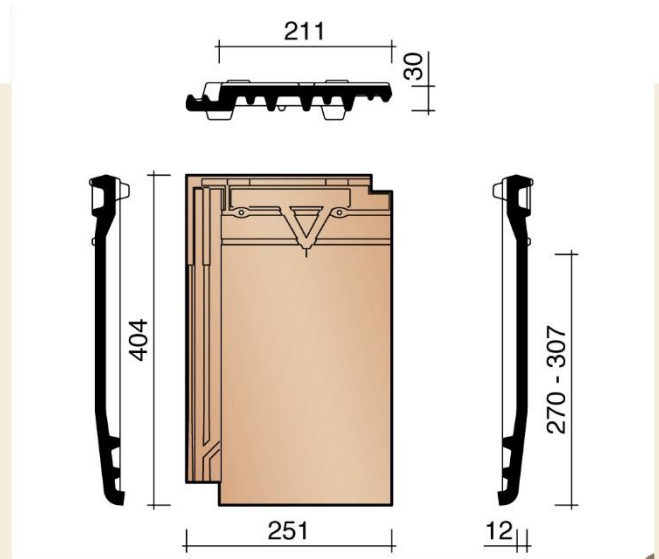
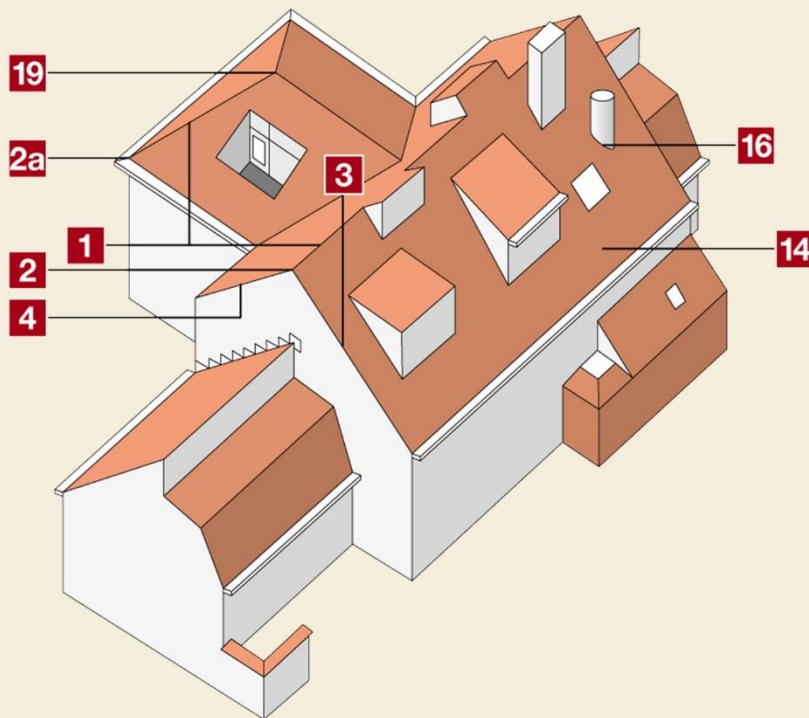




KORAMIC

Kleidakpannen. Tuiles Terre Cuite.

Datura

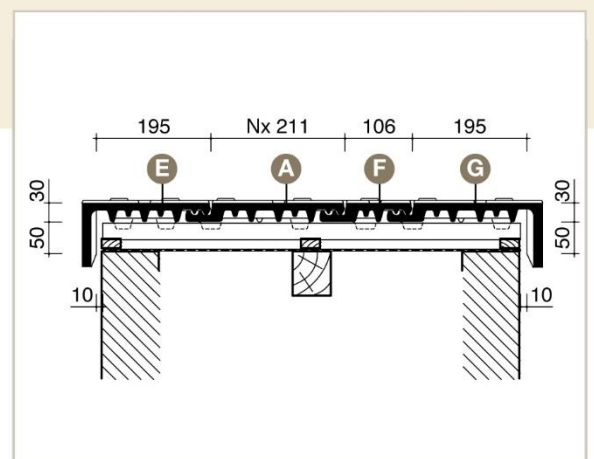
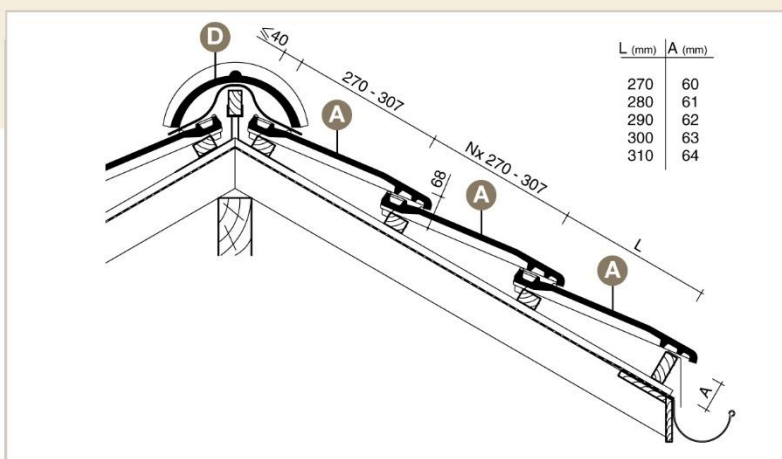


TECHNICAL DATA

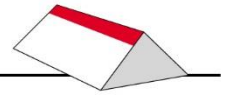


Data	Brand: Narvik
	Model: Datura
Minimum pitch	25°
Variable batten spacing	270 to 307 mm
Tiles/m ²	± 15.4
Weight/tile	± 3.15 kg
Weight/m ²	± 48.5 kg
Crushing strength	> 900 N (EN538)
Water impermeability	≤ 0.50 cm ³ /cm ² .d (EN539-1)
Frost resistance	guarantee for 30 years
Batten size	50 x 25 mm (BS 1202)

ROOF DETAILS

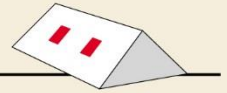


RIDGES AND HIP TILES



<p>Angular ridge (3/m)</p> <p>Ref. No. 2800</p> <p>D 1</p>	<p>Angular begin ridge</p> <p>Ref. No. 2810</p> <p>2</p>	<p>Angular end ridge</p> <p>Ref. No. 2820</p> <p>2</p>	<p>Angular begin hip</p> <p>Ref. No. 2860</p> <p>2a</p>
--	--	--	---

VERGE & VARIOUS FITTINGS



<p>Cloaked verge tile left hand (1.65/m)</p> <p>Ref. No. 7080</p> <p>E 3</p>	<p>Cloaked verge tile right hand (1.65/m)</p> <p>Ref. No. 7090</p> <p>G 4</p>	<p>1/2 cloaked verge tile left hand (1.65/m)</p> <p>Ref. No. 7020</p> <p>3</p>
<p>1/2 cloaked verge tile right hand (1.65/m)</p> <p>Ref. No. 7030</p> <p>4</p>	<p>Half tile (3.3/m)</p> <p>Ref. No. 8010</p> <p>F 14</p>	<p>Half tile without side interlocking (3.3/m)</p> <p>Ref. No. 8040</p> <p>3</p>
<p>Left hand verge/Double roll tile (3.2/m)</p> <p>Ref. No. 8050</p> <p>3</p>	<p>Steam-exhausting tile Ø 100 mm</p> <p>Ref. No. 8740</p> <p>16</p>	<p>Cap for steam-exhausting tile Ø 100 mm</p> <p>Ref. No. 8750</p> <p>16</p>
<p>Connector 3 directions</p> <p>Ref. No. 5340</p> <p>19</p>		