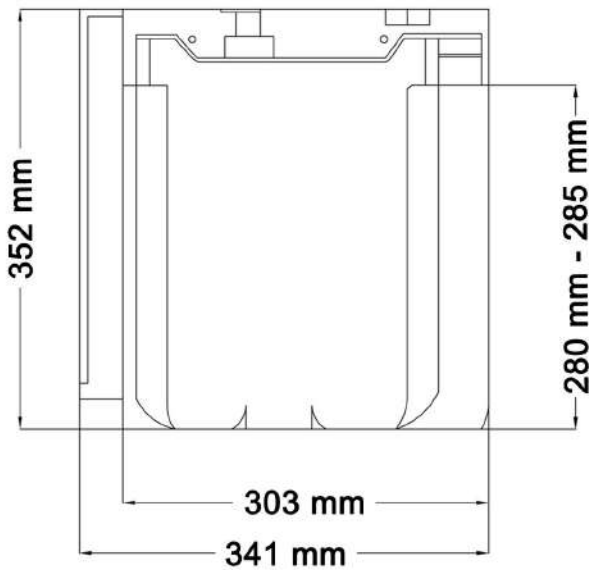


TECHNICAL DATA SHEET

EAGLE EXA



Length	352 mm
Width	341 mm
Exposed Length	280 mm (275 mm - 285 mm)
Exposed Width	303 mm
Weight	3.5 kg / piece (41.3 kg / m ²)
Pieces per SQM	12 pieces



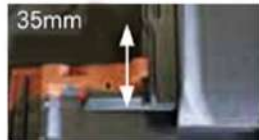
① Able to Withstand Strong Winds



② Water Channels



③ Adjustable Exposed Length



CJK Quality Standard



(1) Strong Performance Against Harsh Weather Conditions

The patented improved interlocking function offers enhanced performance against strong winds and the harshest weather conditions.

(2) Water Tightness

The EXA is the industry's leading roof tile in water-tightness performance. Its first class and unique R-shaped surface is able to control the flow of rain water and allows for a roof slope as low as 16.7 degrees.

(3) Adjustable Exposed Length

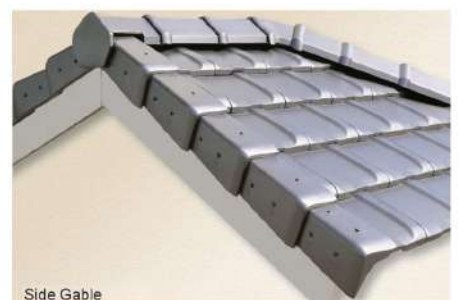
The EXA provides the ability to adjust exposed length up to 35 mm. This reduces the need to cut roof tiles and maximizes materials usage.



V-Shaped Ridge



Triangular Ridge



Side Gable