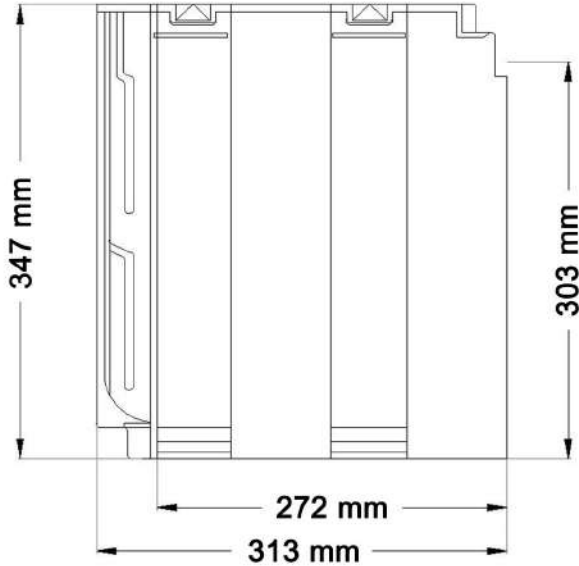


TECHNICAL DATA SHEET

EAGLE MAXIM

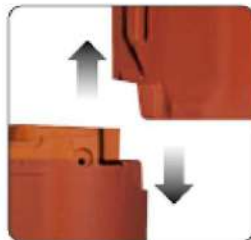


Length	347 mm
Width	313 mm
Exposed Length	300 mm (298 mm - 303 mm)
Exposed Width	272 mm (268 mm - 276 mm)
Weight	2.9 kg / piece (35.1 kg / m ²)
Pieces per SQM	12 pieces

FEATURES

(1) Interlocking Feature

The locks on the upper-right corner and the bottom-left corner lock together to keep the roof tiles secure during strong winds.

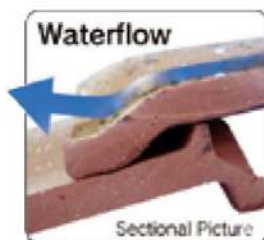


(2) Lightweight

Eagle Maxim is now lighter by 10% compared to earlier versions, while still maintaining its ability to withstand the harshest weather conditions.

(3) Design

The Eagle Maxim roof tile remains faithful to the traditional Mediterranean-inspired roof while adding a refreshing twist in the form of a rolling profile. Its superior aesthetic design also provides rain water channels to ensure water tightness.



CJK Quality Standard



(1) Interlocking Feature

The locks on the upper-right corner and the bottom-left corner lock together to keep the roof tiles secure.

(2) Water Channels

The water channels on the sides of the tiles prevent rainwater infiltration when there are strong rains.